



Newsletter



Unitarian Universalist Fellowship at Easton

October 2009

Sermons

Association Sunday

October 4

Rev. Gabi will focus on the history of Unitarian Universalism, as well as on our theology. This is a great opportunity to bring a friend or colleague!

October 11, Saving the World, 10 at a Time

Small Group Ministry has been a very successful movement in churches of all denominations. Here at UUFE it's called "Chalice Circles." What exactly is it, and what's so special about it? Rev. Gabi will explain.

October 18, Blessing of the Animals

Honoring St. Francis, the patron Saint of animals and of ecology, Rev. Gabi and the congregation will focus on our animal companions. Bring your favorite pet (leashed or crated, please!) or a photo for the blessing.

October 25, Samhein

In the pagan calendar, Halloween, or Samhein, is the time when the veil between the worlds is thinnest. We will prepare to receive words of wisdom and do the Spiral Dance in a service led by members of the Women's Spirituality Circle.



Inside....

President's Corner.....	2
Minister's Message.....	2
Religious Education-Youth.....	3
Gatherings.....	3
Adult Enrichment.....	4
Member Services.....	4
Social Justice.....	4
Board News.....	5
Denominational Connections.....	6
Music - Director Search.....	7
UUFE Contacts.....	8
Calendar	click on word or see the insert

UUFE Service Auction & Dessert Buffet

Oct, 16, 7-9

The 12th terrific UUFE Service Auction and Dessert Buffet is Friday, October 16 at 7:00 pm. Pick up your catalog at the service on Sunday, October 4 (or your mailbox thereafter).

It's not too late to make donations for the Late Breaking Extras. Use the sign-up form on the Web page or contact Janet Pfeffer at jpfeffer@goeaston.net or 410-770-9540.



President's Corner

I got on the UUFE website tonight, only to find that we have an Adopt-a-Highway crew from the Fellowship that has cleaned part of Oxford Road twice!! How did I miss that?! Maybe it's from spending so much time in the kids' religious education wing last year.

This leads me to two points about our Children and Youth programs.

First, a big thank you to Amy Eutsey, Lauren Dutton, Liz Hausburg and anyone else that has helped make the OWL (Our Whole Lives) program a possibility for the youth of our Fellowship and our community. This curriculum is a progressive approach to sexuality education and deals with the totality of human sexuality in an age appropriate manner. The OWL class received funding from Amy's non-profit foundation, Easton Rocks. Lauren Dutton, a nurse practitioner and friend of UUFE will be one of the OWL co-leaders. This program will be done in cooperation with UU Chester River where our other leader, Tom Allen is from. If you know any 7-9 graders in the community that would be interested, contact Liz Hausburg.

Second point about religious education: Several of our parents relinquish the adult experience of Sunday service in order to provide quality religious education for our kids. Teaching RE is not a totally selfless choice. Last year I heard several parents say how much they learned from teaching world religions. This year will be no exception: Can you imagine teaching Christianity with a UU perspective? HERE'S WHERE YOU COME IN! Once a month we need non-parenting volunteers to teach a pre-planned class. Please lend your UU perspective to Christianity. PLEASE LEND A HELPING MIND!

Nancy Sawyer

Minister's Message

"What does a minister do all day?" "I thought all you do is preach on Sundays?" "This really is a full-time job?" - some of the questions my family members in Germany had when I first told them about my [new] job. You all might have similar questions. So I decided to give you a bit of an idea what I'm doing for my paycheck, i.e. what all is involved in my daily routine.

First, there is no routine. Every week is different, some are hectic, and some are calm. The biggest chunk of my time is used up in preparation for Sunday worship. Researching, writing, and practicing the sermon; finding hymns that fit in with the theme and are at the same time "singable" for the congregation; coordinating the Children's Message with the DRE; finding readings, words for the Chalice Lighting and the Benediction; finding or writing a prayer/meditation, proof-reading the Order of Service, etc. (When they told us in seminary to set aside fifteen to twenty hours for sermon writing, I didn't believe it. But now that I've been writing two or three sermons every month for three years, I know it's true!)

Another large portion of time is used up with meetings: internally with the board, committees, or task forces; with our wonderful office volunteers or our DRE; with groups outside of UUFE like the Talbot County Interfaith Shelter, with clergy colleagues, with city officials; continuing education opportunities, etc.

Since one of my passions is Adult Religious Education, I am also kept busy with preparation for, and teaching of, classes. At the moment I have a wonderful large group of students in my "Building Your Own Theology" class. I will continue with BYOT 2 in the spring when I will also add a class on Spiritual Disciplines. In addition to RE, I'm part of the Membership Committee team that presents the "Intro to UU" class three or four times a year; and I co-facilitate the bi-annual board retreats.

Last but not least there are - on the average - two or three pastoral care sessions per week, often unplanned and unscheduled, during office hours or whenever the need arises. Besides that, whenever necessary, I visit people in the hospital or at home.

If I have nothing else to do, I try to catch up on my reading. I have ordered at least ten new ministry-related books in the last year, and have barely had a chance to open any of them . . .

But don't get me wrong! I love my job with all its variety and often crazy demands. Maybe that's why I'm in ministry: never a dull moment! I'd like to close with a quote by Thomas Jefferson: "I'm a great believer in luck and I find the harder I work, the more I have of it."

Warmly

Rev. Gabi



UUFE's Adopt-A-Highway crew cleaned half a mile of Oxford Road for the second time on Sept 12th.



Religious Education-Youth

Calendar Events

- Oct. 4 The Tower of Babel (Communication)
- Oct. 11 Sodom & Gomorrah (Punishment)
- Oct. 18 Abraham & Isaac (Change)
- Oct. 25 Jacob & Esau (Deception)

Donation Needs this month: Kleenex, Clorox Wipes

Our Religious Education Year

I would like to introduce everyone to our teachers for this year:

PreK, K, first grade room,
teaching shared by Ellie Spurry and Amy Eutsey

Elementary level (2 – 4),
teaching shared by Jamie Walters and Shalagh Hogan

Beginning in October I will be available at the Fellowship 2 evenings each month. My office hours will be the first and third Wednesdays of the month from 6:30pm – 8:30pm. If you have questions about our Religious Education for children and youth, Friday Youth Nights, or just want to chat about kids – please feel free to drop in. My office is in the Nursery in the RE wing, down the hall on the right.

Something to Think About

Each month I will give us something to think about from Jane Bartlett's book *Parenting with Spirit*.

"Discover sacred time in a busy life"

Be present in the moment as often as you can, and spiritually savor what you are doing.

Enjoy the world from your child's perspective, which is often one of wonder and fascination.

Recognize when you are feeling off-balance and need to restore yourself.

If you can, downshift if you are in need of an uplift: prioritize your life so that you have more time for what matters most.

See you in Fellowship!

Liz Hausburg, CRE

Newsletter News

To submit an article or notice for the next newsletter, send it to editor@uufeaston.org by Thursday, October 15. Please attach photographs separately. Space permitting, you'll see your article in the November UUFE newsletter on-line at www.uufeaston.org. If you don't have internet access, request that a copy be mailed to you by calling our office at 410 822-8103.

Gatherings

Men's Lunch, Wednesdays, Oct. 7 and 21. All men are invited to meet at the Airport Café about 11:30. This gathering is sometimes referred to as ROMEO's, however retirement is not a prerequisite for attendance. Breakfast is served until 11:30.

Book Group, Thursday, Oct. 15. We meet at the Fellowship at 11:30 a.m. in the Archer-Shee room and invite you to bring a brown bag lunch and share in our very informal discussions. If you haven't read the book, please join us anyway. The selection for October is *A Life Worth Living* by Robert Martensen. Gail Woodall will lead the discussion. November's selection is *Elegance of A Hedgehog* by Muriel Barbery with Joanie Baynard as leader. The tea kettle will be boiling and coffee made. Please let us know if a different day or time would be more convenient for you for future get-togethers. For more information, call Joanne Baynard at 410-770-8277.

Women's Circle is on hiatus for the fall. If you are interested in joining when we regroup, call Beth Hansen at 410-253-0214.

Juliets, A work in Process. What the heck is "Juliets"?

Just Us Ladies Indulging Eating Talking
(authored by Laura Winne)

Hence forth "Juliets" will refer to the women's dining opportunities which will occur twice each month. One, a daytime gathering, with a hostess who provides the beverages and dessert. Each woman will bring her own "brown bag". The second gathering will likely be an evening event for those who are not available during the day. It has been proposed that the same calendar date each month be used for each occasion. This is a tentative plan with more input expected before it is finalized.

A meeting in the Sanctuary on October 4 following the service will provide another opportunity for input. I'm confident that we will decide on something comfortable for all those who wish to participate.

As soon as possible I will send an e-mail to clarify all the details with dates and times of the Juliets' gatherings.

Ann Davis



Plan Ahead! Fall Festival

Potluck is Sunday, Nov. 1

Adult Enrichment

Building Your Own Theology

Continuing on Wednesdays, October 7, 14, 21, 28, November 4, 18
7:00-9:00 pm in the Sanctuary
Facilitator: Rev. Gabi Parks

This course, an on-going 10 session course, began in September and continues through November. Participants reflect on their religious experiences and knowledge and create their own credos. Each person explores varieties of religious experience, human nature, ultimate reality, history, ethics, and religious meaning.

Paul Sharp

Social Justice

Turn the Lights on Again!

The Talbot Interfaith Shelter Inc.

A faith-based service ministry dedicated to providing temporary shelter to folks who lack adequate housing during the coldest months of the year, needs your help to 'Turn the Lights on Again' on Thursday, Oct. 15, 8:00 – 10:00 p.m. The evening features three musical groups at the Avalon Theatre

1. Danny Shivers playing unique, unexpected renditions of familiar songs. Danny calls it 'Rockoustik', unplugged modern & classic rock.
2. KIRBY LANE BAND - Harmony Soul arrangements of original and popular songs sung by Jessica Henderson and Johnelka Stafford.
3. SOUND MINDS DUO - Lisa Rowe, guitarist/vocalist and Asa Tibbs, improvisational harmonica player, perform original and cover songs.

Tickets only \$25.00 per person.
Silent Auction and Refreshments available
For more information call (410)739-6801

UUFE supported this effort last year with funding through the Social Justice Committee, hosting two weeks at the Fellowship with a cadre of volunteers. This year Talbot Interfaith Shelter is searching for a single location for the months of December 2009 through March 2010. The UUFE Board and the Social Action Committee have voted to once again support this effort.

Member Services

Member Services

Wednesday, Oct. 14: The committee will meet 3:00 p.m. at the Fellowship building.

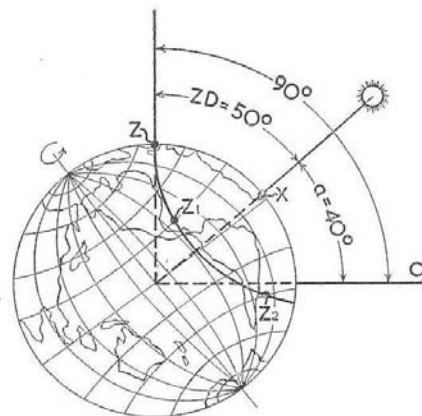


On September 20 eleven people interested in learning more about Unitarian Universalism met with Rev. Gabi and members of the Member Services Committee for a class and light lunch. Some felt ready to sign our Membership Book at the end of the class.

Our **newest members** include Carol Engle, Jack and Judy Harrald, Stephanie Hunsicker, Ann Pogue, Sheila Wheeler and Barbara Williams. Steven and Tara Dellavecchia will sign on October 4. Many new members have been attending worship and other activities for some time, and others are quite new. We look forward to getting to know each of them better and extending our own personal welcomes.

Gail Woodall

Celestial Navigation made easy



A course offered by Ken Court for the service auction.

Are you lost? Planning a cruise? Learn how to use a sextant, Nautical Almanac and Sight Reduction Tables with proficiency. Use sun, stars, moon and planets and simple methods to plot fixes with confidence.

Journey Toward Wholeness

Annual Fall Conference

Multicultural Families

October 17, 2009

Unitarian Universalist Church of Annapolis
333 Dubois Rd.
Annapolis, MD

Featuring the Keynote Speaker:

Janice Marie Johnson
Director of Racial and
Ethnic Concerns

For the Office of Identity Based Ministries at the
UUA.

Workshops to include:

- UU Multi-Cultural Families - Religion, Realities and Responsibilities -- led by Bob Throne
- Affirming a Multicultural Unitarian Universalist Identity – led by Natalie Fenimore
- Multicultural Literature for Children and Congregations – led by Sara Gondwe
- What is the Journey Toward Wholeness? – led by Om Prakash
- White Parents with Kids of Color (Panel and Dialogue) – led by Ann Ulmschneider
- Ministry to Youth and Young Adults of Color: Mosaic Project Findings – led by Laura Spencer
- Ministry to Youth and Young Adults of Color: District support for Communities of Color – led by Laura Spencer



PLEASE NOTE! Gail Woodall
is coordinating carpool rides to this
conference in Annapolis on October 17th. Contact
Gail at
gbwoodall@goeaston.net

Suzanne Clark

Board News

Board Highlights, September 2009

Children and Youth Report: Liz Hausburg, Director of Religious Education, spoke about plans and activities with our children and youth. She asked that members of the congregation help “parent” the children during coffee hour, especially near the snacks.

Minister’s Report: Rev. Gabi reported on the numerous activities of her first two weeks of ministry with UUFE. The Board noted high attendance at summer services.

Committee Chair Positions. Nancy Dimond Sawyer will continue to seek a new Finance Chair (Peter Paul will remain for the time being) and co-chairs for Fund Raising and Annual Stewardship (to serve with Colleen Ronning and Janet Pfeffer, respectively). Nancy is also inviting people to serve on the Committee on Ministry.

Talbot Interfaith Shelter Space Needs. The Board approved UUFE hosting two consecutive weeks and commit to staff one of these weeks for the Talbot Interfaith Shelter this winter.

Worship Changes. Board members will take turns making the announcements at Sunday services at the new time slot, the beginning of the service.

Plans for October 23-24 Start-up Workshop. All members are invited to the pot-luck dinner on Friday, October 23; Board members and committee chairs are invited to the day-long workshop on Saturday, October 24.

Janet Pfeffer



Fall is here. As you switch wardrobes, put aside items for the Bazaar commission shop. Joanie Baynard will accept these items and prepare them for sale. This has always been a great fundraiser for UUFE.

Coleen Ronning

Denominational Connections

The Uufe Music Committee is currently in the process of choosing a part-time Music Director this year due to a grant from the **JPD Chalice Lighters Program**. You may wonder how the JPD Chalice Lighters Program has been able to award over \$1.7 million in grants since 1987. Although each individual contribution may be only \$20 per Call, when thousands contribute, the total that is collected is significant.

The Denominational Connections committee is delighted to report that since our Chalice Lighters drive last spring, we have nine new or returning members.

Suzanne Clarke

Chalice Lighters are Going-Green!

Enroll Online Today

Become a member of the Chalice Lighters program and join the 4,000 UUs who are committed to sharing the transforming power of our liberal faith — it's easy...

1. Go to www.jpduua.org
2. On the left "Quick Links" section, click on **Chalice Lighters**.
3. Click on **Chalice Lighters Enrollment** and fill in the information requested.
4. You will be asked to enter the amount you pledge to give when your Call arrives by e-mail three times each year.

A minimum of \$20 per Call is suggested.

The total amount of \$60 can be paid at one time.

5. Click "submit form" and you are done!

If you have any questions about Chalice Lighter enrollment or your membership status, please call Cristina Sanchis at 800-351-6637 or 302-778-4564. You can also email Cristina at cristina@jpduua.org.

Unitarian Universalist Fellowship at Easton Building & Grounds Committee Committee Purpose Statement (Rev. June 2009)

Building & Grounds Committee:

- Provide input on budget requirements and long range plans for the buildings and grounds.
- Routinely inspect buildings to protect our investment.
- Manage building custodial services.
- Provide supervision for volunteer projects.
- Maintain essential building records.
- Coordinate with the Administrative Committee on building rental needs.
- Define required projects to meet the needs of the Fellowship.

Aesthetics Subcommittee:

- Create unified and harmonious spaces throughout the building.
- Monitor, consult, and advise on changes or additions to both the interior and exterior of the building.
- Plan for aesthetic additions such as display of art in the foyer or wall hangings - or other additions to the worship space.
- Work in consultation with other committees to insure that aesthetic components are considered jointly with function.

Building Maintenance Subcommittee:

- Establish minimum standards for building repair and new projects.
- Establish a manual of essential maintenance, repair and operating procedures.
- Schedule building repairs and track completion.
- Schedule routine maintenance of building operating systems.
- Establish a site storage policy/plan.
- Manage site waste disposal and snow plowing.
- Maintain a list of volunteers with maintenance skills within the Fellowship.

Grounds/Landscaping Subcommittee:

- Maintain a site landscaping master plan.
- Manage the design of new beds and plantings on the grounds and the lawn mowing contract.
- Routinely inspect grounds and landscaping to detect problem areas.
- Schedule workdays to maintain beds and plantings around buildings and on the grounds

submitted by Dick Doughty

Music

The search has begun.

The Music Committee has organized a Search Subcommittee to conduct a professional level recruitment/hiring process. We would appreciate everyone answering a few questions to help the Music Committee and the Search Subcommittee to:

- Match a candidate's skills/attributes to our congregation's needs.
- List our musical resources and aspirations in a way to attract candidates.
- Provide the new Director with a clear picture of what the congregation wants.
- Help the new Director to prioritize time/effort effectively.

At the end of September a **Music Survey** form will be available online via a link from our website. Members without e-mail addresses will receive a form in the mail. Copies will also be available in the office and after Sunday services.

Please return completed forms by the middle of October.

Maggie Garey, Music Committee Chair will be available after services to answer any questions or take your personal comments.

Maggie Garey

Arcs from the Caring Circles

The Caring Circles network is an extension of the professional ministry of Reverend Gabi Parks which provides pastoral care to the members and friends of UUF. Caring Circles are geographic areas defined within our congregation. The Circles are:

- Easton A:** Those whose last names start with the letters A through E, Captains Joanie Baynard and Ken Court
- Easton B:** N through Y, Captains Ellie Spurry and Liz McGrory
- Easton C:** F through M, Captains Jean Rhian and Jerry Fairbanks and Co-Captain Leigh Marquess
- Caroline and Queen Anne's Counties:** Captain Rita Barker
- Trappe and Dorchester County:** Captains Debbie Easterling and Ann Davis
- Bay 100:** Captains Jim Richardson and Martha Hamlyn
- St. Michaels:** Captains Lisa Menditch and Ann Davis

Caring Circle Captains organize members of their circle to provide pastoral care to each other during times of need and to celebrate joyous occasions. Support may involve providing meals, transportation to appointments, emergency childcare, pet care, house sitting, being with someone who cannot be left alone, or sending cards, making phone calls, etc.

Caring Circle Captains will contact you to introduce themselves, give you emergency contact information, a directory for your Circle, ask how you might be able to help when needs arise, or perhaps invite you to a social event.

Look for further information about Caring Circles and their services in subsequent issues of this newsletter.

Ann Davis, Caring Circles Coordinator

Now is your chance! -----Don't miss it!!

Come to the Small Group Ministry/
Covenant Group Sampler
October 18
11:30 to 1:30
Archer-Shee Room

Join us for lunch and learn about
Small Group Ministry (SGM) and
experience a session.

People attend a church for community and to explore topics of spirituality. Small Group Ministry offers a safe place to wrestle with life's ultimate questions through deep listening and personal sharing. It invites us into more constant and reverent relationships and has the capacity to profoundly transform and strengthen our lives.

You will have an opportunity to register for a new group, facilitated by Dwayne Eutsey, or to join a core group of four women, facilitated by Ann Davis, who are inviting others to add dimension to their group.

Debbie Easterling will facilitate a group that is continuing on from the last church year.

A sign-up sheet will be available in the foyer. There is a limit of 10 people for each group. If you have questions, please contact Debbie Easterling or Ann Davis.

Congratulations! Job Well Done

April 2009 was the end of our two capital campaigns which began in 2004. At that time approximately 100 members pledged a total of \$537,835. The total amount received was \$555,585.

Some members overpaid their pledges; other members and friends who did not pledge nevertheless contributed. We have paid our line of credit that we were using for a construction loan at the Talbot Bank down to under \$1,000 and have \$10,757 in our Capital checking account. We continue to make monthly payments on the Fellowship mortgage at Talbot Bank, and have an outstanding balance on a member loan of \$45,000.

Our congregation's commitment and generosity has been amazing. We can be proud!

Jerry Fairbanks

UUFE Contacts

Minister	Rev. Gabriele Parks, 410 822-8103 minister@uufeaston.org
President	Nancy Sawyer 443 362-0946 president@uufeaston.org
Coordinator, Religious Education for Children and Youth	Elizabeth Hausburg, 410 476-4774
Minister Emeritus	Daniel G. Higgins, Jr., D.Min 410 745-3462
UUFE Office	410 822-8103
Newsletter Editor	Frank Greenburg, editor@uufeaston.org

As for my three mantras—

do what you can,

want what you have,

and be who you are—

**I practice each every day,
feeling myself blessed
beyond measure.**

Forrest Church



www.uufeaston.org



8



October 2009

**THE UNITARIAN UNIVERSALIST FELLOWSHIP AT EASTON
PO BOX 1162
EASTON, MD 21601**

FIRST CLASS POSTAGE

